

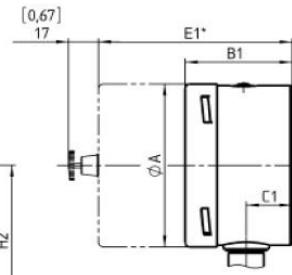
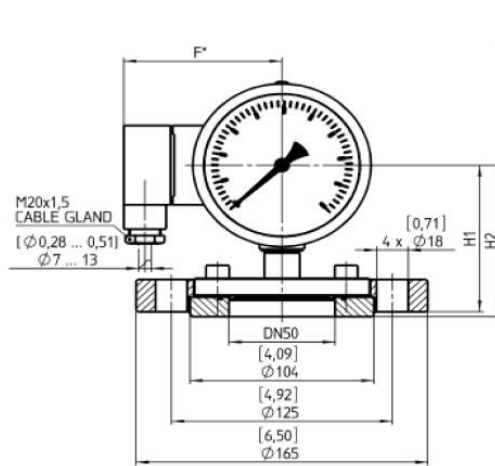
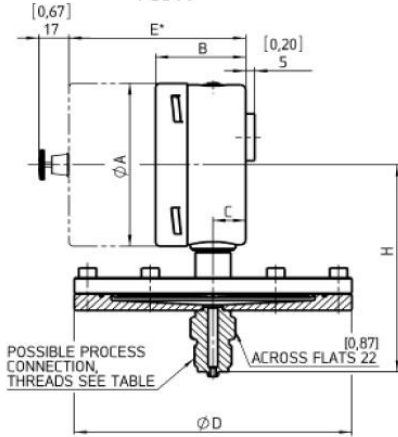
P5500, P6500型 ダイアフラム式圧力計



外形図 (単位:mm)

P5500型: オープンフロント型

P6500型: ソリッドフロント型



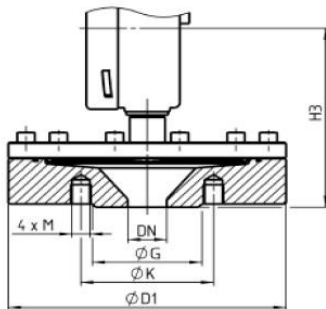
THREADS	CODE
1/4-18 NPT MALE; DIN EN 837	02
1/2-14 NPT MALE; DIN EN 837	04
G 1/4 B MALE; DIN EN 837	13
G 3/8 B MALE; DIN EN 837	14
G 1/2 B MALE; DIN EN 837	15
M20x1,5 MALE; DIN 3852	16
R 1/2 MALE; DIN 2999	KQ

* WITH INTEGRATED CONTACTS

PRESSURE RANGE	SIZE	Ø A	B	B1	C	C1	Ø D	E*	E1*	F*	H
≥ 0,6 bar	100	[3,97] 101	[2,01] 51	[2,38] 61	[0,73] 18,5	[1,02] 26	[3,90] 99	[3,94] 100	[4,33] 110	[3,50] 89	[5,04] 128
	160	[6,35] 161	[1,96] 50	[2,52] 64	[0,76] 17	[1,11] 28	[3,90] 99	[3,94] 100	[4,49] 114	[4,69] 119	[6,22] 158
≤ 400 mbar	100	[3,97] 101	[2,01] 51	[2,38] 61	[0,73] 18,5	[1,02] 26	[6,18] 157	[3,94] 100	[4,33] 110	[3,50] 89	[4,92] 125
	160	[6,35] 161	[1,96] 50	[2,52] 64	[0,76] 17	[1,11] 28	[6,18] 157	[3,94] 100	[4,49] 114	[4,69] 119	[6,10] 155

RANGE DN	Ø D1	Ø G	H3	Ø K	4 x M
≥ 0,6 bar	≤ 400 mbar		NG 100 NG 160		
DN20/PN40	[4,13] 105	[6,18] 157	[2,28] 58	[2,95] 75	M12
DN25/PN40	[4,53] 115	[6,50] 165	[2,68] 68	[3,35] 85	M16
DN50/PN40	[6,50] 165	[4,02] 102	[4,17] 106	[4,92] 125	M16
DN1" 150 lbs	[4,25] 108	[4,25] 108	[4,57] 116	[5,75] 146	M12
DN1" 300 lbs	[4,25] 108	[4,25] 108	[4,61] 117	[5,79] 147	M12
DN2" 150 lbs	[6,00] 152,4	[6,18] 157	[4,80] 122	[5,98] 152	M16
DN3" 150 lbs	[7,52] 190,9	[7,52] 190,9	[4,29] 109	[5,47] 139	M20

FLANGE DN50	SIZE	H1	H2
100	[4,61] 117	[4,72] 120	
160	[5,79] 147	[5,91] 150	



Size	Type	System material	Execution	Process connection	Connection orientation	Range	Engineering units	Filling	Options
(100) 100 mm	P5500	(S) Diaphragm 316Ti (1.4571) or Duratherm or Inconel, flange 316L (1.4404)	(D) IP66	(02) 1/4 NPT male	(L) Lower	-16/ 0 ... -400/ 0	MBAR	(=) Standard no filling	(6B) Cleaned for Oxygen service
(160) 160 mm	P6500	(ST) Diaphragm 316Ti (1.4571) or Duratherm or Inconel, flange 316L (1.4404), PTFE-lined (accuracy class 2,5 (2,5 % F.S.), range >100 mbar, not for NPT threads)	(L) Liquid filled IP66 ¹⁾	(04) 1/2 NPT male (13) G 1/2 B male (14) G 3/8 B male (15) G 1/2 B male Flange: (DN20) DN20 (DN25) DN25 (DN50) DN50 (10-150) 1" 150# (15-150) 1 1/2" 150# (10-300) 1" 300# (20-150) 2" 150# (30-150) 3" 150# (R50) Open flange DN50		0/ 16 0/ 25 0/ 40 0/ 60 0/ 100 0/ 160 0/ 250 0/ 400 -1/ 0 -1/ 1,5 -1/ 3 -1/ 5 -1/ 9 -1/ 15 -1/ 24 0/ 0,6 0/ 1 0/ 1,6 0/ 2,5 0/ 4 0/ 6 0/ 10 0/ 16 0/ 25	BAR	(GR) Glycerin (GV) Silicone () Contact type and function (see data sheet G1.K55/E) ¹⁾	(ATEX) ATEX approval (CS) Dual scale (DA) Dial marking (EA) External zero adjustment (EP) Maximum pointer, adjustable (MP) Micrometer pointer (NH) Tagging wired (PD) Acrylic glass (SH) Red set hand stationary
		(HS) Diaphragm Hastelloy C-276, flange 316L (1.4404) ¹⁾							
		¹⁾ not for vacuum and compound ranges							
			¹⁾ liquid filled only for ranges > 100 mbar						
				others on request					
								psi and others on request	
								ranges < 400 mbar only available with dial size 160 mm	Option listing starts with "X", followed by options separated by "-" Example: X-NH-SG-FW

ASHCROFT日本総代理店 株式会社 岡田計器製作所 〒156-0045 東京都世田谷区桜上水 3-11-5

TEL:03-3303-2268 (代表) FAX: 03-3304-8036 <http://www.okadakeiki.co.jp>